



Flipchart ecoBoards mobile

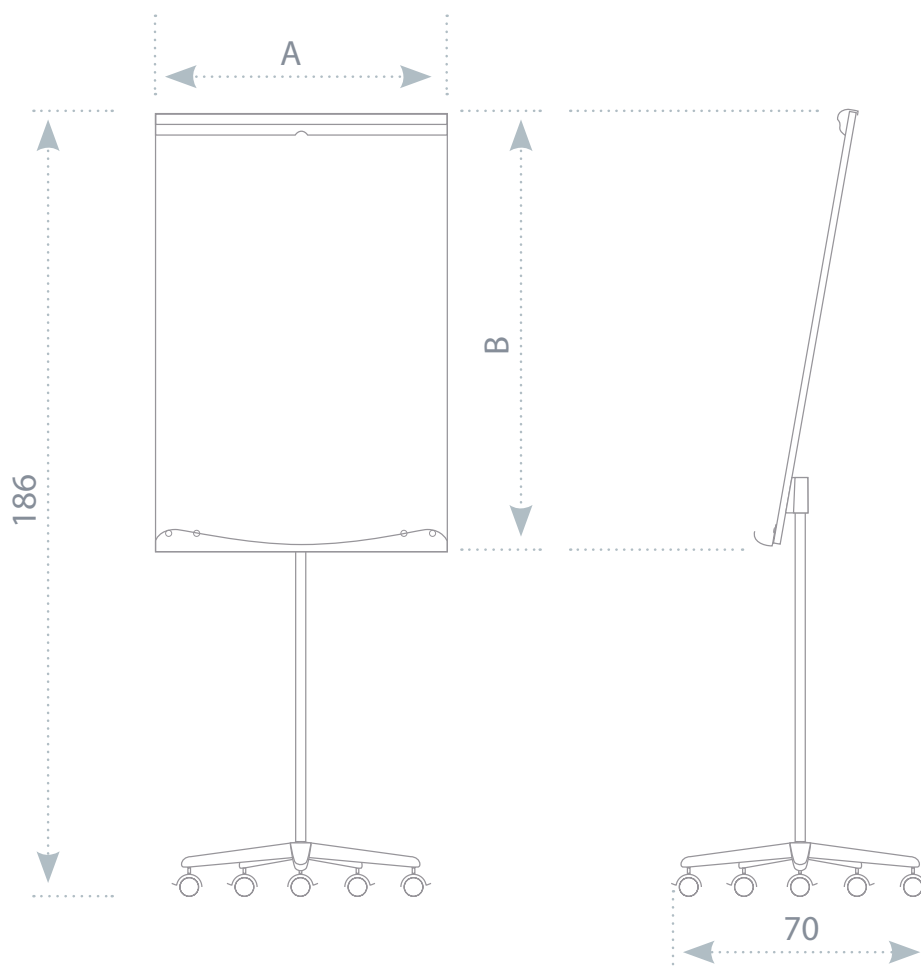
Description 2x3 Art. No: **TF03 ECO**

Characteristics: Dry-wipe magnetic surface. Board: 70 × 100 cm. Fixed elevation (186 cm) and the slope of the board (15°). Aluminium pole on plastic base with locking casters. Flexible pad fixing. Plastic pen-tray.

Warranty: 10-year for the lacquered surface and 2-year product warranty.



Flipchart ecoBoards mobile	
2x3 Art. No	TF03 ECO
Surface	lacquered
Properties of the surface	magnetic
Board dimensions (AxB)	70 x 100 cm
Max height	186 cm
Material	pole: aluminium; base: plastic
Base	mobile (lockable casters)
Warranty	10 years for the surface 2 years for the product



2x3 S.A.

73-231 Krzęcin, ul. Słoneczna 3, Polska

[i]: 801 23 00 23

[t]: +48 95 765 3848 [f]: +48 95 765 3850

[e]: info@2x3.pl [w]: www.2x3.eu



innovations in visual communication