

Wall Mount Door Holder

Model:DI-YD6 04

Basic Instruction

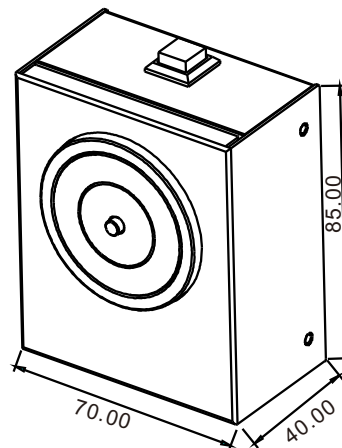
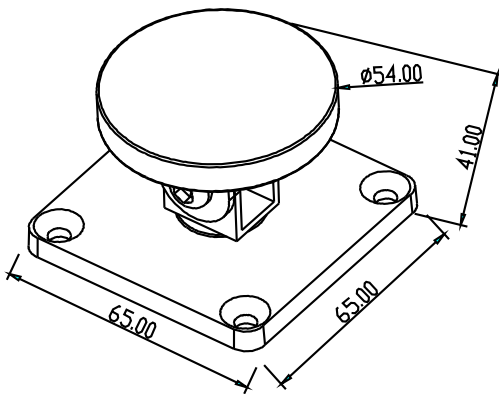
Dual Voltage Selectable(12VDC or 24VDC)
 Emergency Release Button/Test Button
 Wall Mounting Direction

Low Current Consumption
 Reliable Fail-Safe Mechanism
 Durable and Silence Operation

Specifications

- Size: 70Lx40Wx85H(mm)
- Voltage: 24VDC
- Current Draw: 70mA
- Optional: Manual door release button
- Surface Temp: $\leq +20^{\circ}\text{C}$
- Operating Temp: $0 \sim +55^{\circ}\text{C}$ (14-131F)
- Weight: 0.9kg
- Holding Force: 50kg(110Lbs)
- Suitable for: All Kinds of Single(Double) Smokeproof Doors
- Suitable Humidity: 0~95%
- Finishes for Shell: High Temperature Paint
 Environmental Protection Zinc
- Finishes for Armature: Chromium

Dimension



Installation

Remarks:

1. The default setting is 24VDC.
2. If user want to connect with 12VDC, operating as below:
 - (1) pull those two jumpers out. It is showed 4 pins here.
 - (2) insert one of the jumper in the middle of those pins. It is 12VDC now.

