



## FaceKiosk-H13C

Android Multipurpose  
Facial Recognition Kiosk

## FaceKiosk-H13C[TD]

Android Multipurpose Facial  
Recognition Kiosk with Temperature  
& Mask Detection Module

Compatible with  
 ZKBioSecurity

## Overview

**FaceKiosk-H13C**, our 13.3-inch touch screen multipurpose facial recognition Android Smart Kiosk, is designed to provide friendly and interactive user experience by incorporating fingerprint, label printing, QR code, and RFID module in it.

FaceKiosk-H13C offers multiple verification module to verify users' identity through facial recognition, fingerprint, smart card or hybrid verifications.

In addition to collecting and verifying the identity information, it also supports small label printing, two dimensional code scanning, and yet can be used as queuing machines as well as self-service machines.

Moreover, the hardware interface and diversified functions can meet various needs of different users in different scenarios.

ZKTeco EDK (Facial Recognition, Age, and Gender Assessment) based on the Android platform is combined with a touch screen for facilitating the rapid deployment of third-party apps, providing customers with high quality and stable hardware development environment.

Facekiosk-H13C is empowered by ZKTeco technology, it is compatible with ZKBioSecurity.

Facekiosk-H13C is an ideal solutions for visitor self-service counter, conference display or e-learning classes.

## Features

- Supports various RFID format, ID card (standard), IC card (optional)
- Support Temperature Detection Module (Optional)
- Built with smart-phone grade touch panel, offers smooth and high-responsive operation experience
- Equipped with one of the industry-leading facial recognition technology bringing its anti-spoofing performance to a new height
- The combination of barcode and printer meet different customer needs
- Offers multiple integration options through LCDP SDK and API

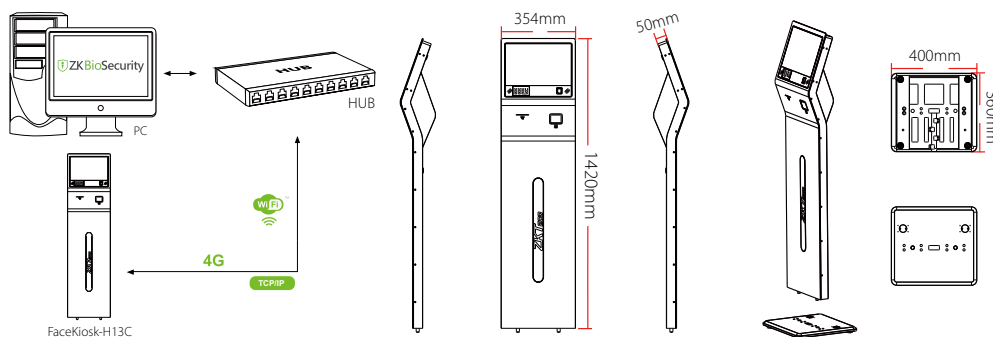
## Specifications

<b>User Capacity</b>	500	<b>Facial Recognition Algorithm</b>	ZKFace 5.6 FAR≤1% FRR≤1%
<b>Visitor Capacity</b>	9,500		
<b>Face Template Capacity</b>	10,000	<b>Facial Recognition Speed</b>	<1s
<b>Transaction</b>	100,000		
<b>Communication</b>	TCP/IP, Wi-Fi, Bluetooth, 3G/4G	<b>Facial Recognition Distance</b>	0.5m to 2m
<b>Screen</b>	13.3-inch capacitive touch screen, 1920*1080 pixels	<b>Card Type</b>	ID card, IC Card(optional)
<b>CPU</b>	ZKTECO Customized Computer Vision eight-core processor	<b>QR Code Module</b>	Dynamic Check-in or Check-out QR codes on the ZKBioSecurity QR code, PDF417, Data Matrix, MicroPDF417, Aztec scanning in third-party development projects
<b>3G/4G</b>	LTE FDD: B1/B2/B3/B4/B5/B7/B8/B20/B28 LTE TDD: B38/B39/B40/B41 WCDMA: B1/B2/B4/B5/B8 GSM: 850/900/1800/1900MHz		
		<b>Label Printer</b>	Line Thermal Printer Printing speed: 100mm/s (max.) Paper width: 80±0.5mm
<b>Bluetooth</b>	BT2.1+EDR/3.0/4.1 LE/4.2 BLE	<b>Operating Humidity</b>	20% to 90%RH
<b>WLAN</b>	2.4GHz, 802.11 b/g/n	<b>Storage Temperature</b>	-40 to 60°C (-40 to 140°F)
<b>Camera Pixel</b>	2-megapixel	<b>Storage Humidity</b>	20% to 90%RH
<b>ROM</b>	16GB eMMC	<b>Dimensions (L*W*H)</b>	1420*354*50mm (55.91*13.94*1.97In)
<b>RAM</b>	2GB LPDDR3		
<b>Communication Ports</b>	1*RJ45, TF card slot, RS232/485	<b>Net Weight</b>	43kg
		<b>Weight with packaging</b>	48kg
<b>Operating System</b>	Android 9.0		

## Body Temperature Detection Specifications (FaceKiosk-H13C[TD] only)

<b>Preventative Measures</b>	Mask detection / Body temperature detection
<b>Temperature Measurement Distance</b>	30 to 50cm (1to1.64ft)
<b>Temperature Measurement Accuracy</b>	±0.3°C (±0.56°F)
<b>Temperature Measurement Range</b>	34 to 45°C (93.2 to 113°F)

## Dimensions



V5.2 06/09/2022